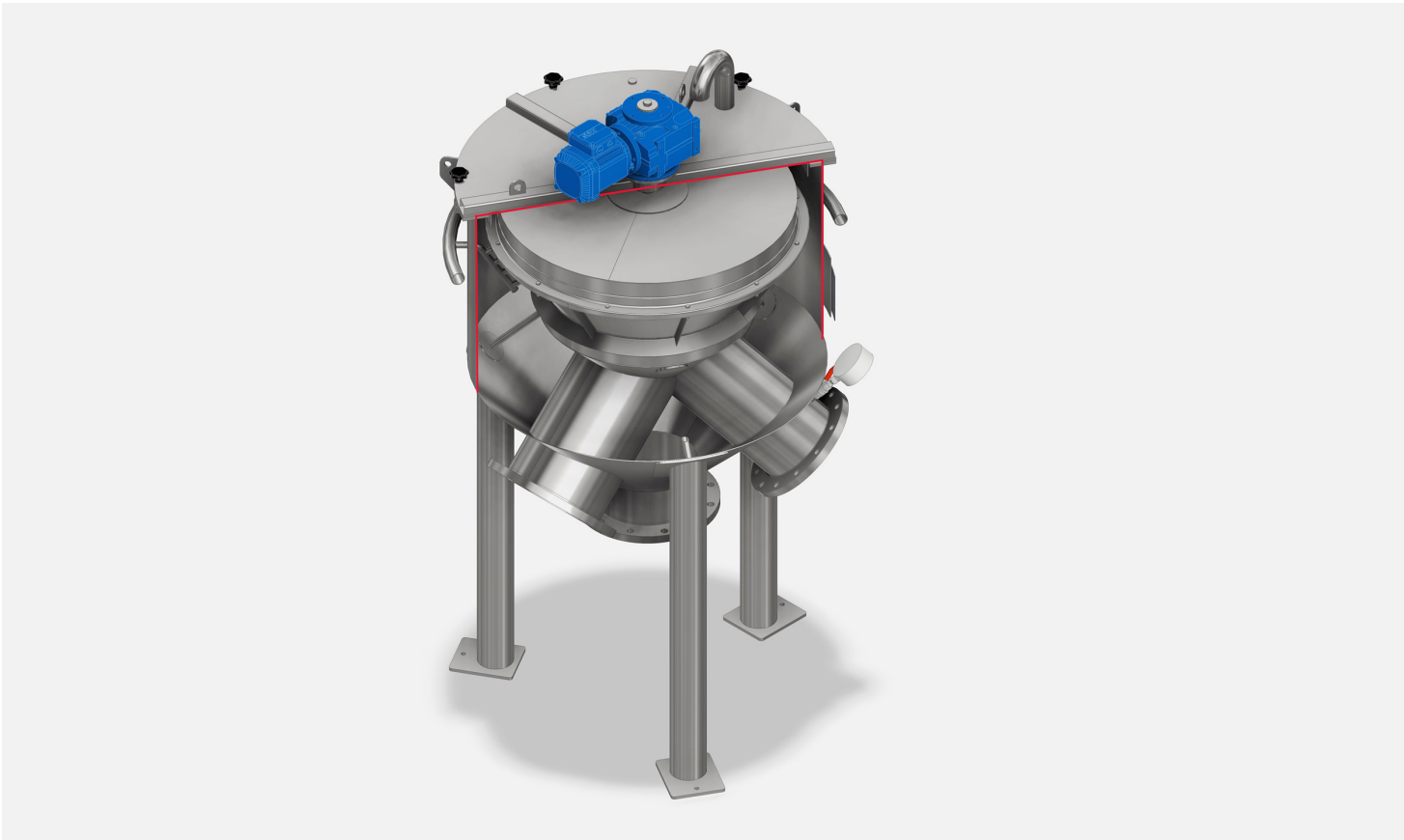


CT – CONUSTRENNER

The Conustrenner is designed for almost maintenance free operation, large volume water fractionation and fine filtration



CT – CONUSTRENNER

The Conustrenner is designed for almost maintenance free operation, large volume water fractionation and fine filtration

Technology

Multilayer conical wire basket with twin or triple layer configuration.

Wire mesh size 40-450 microns.

Wire baskets are continuously cleaned via an internal shower water system.

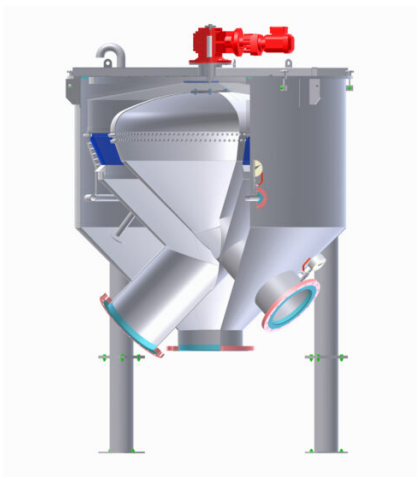
Portable pilot machines available.

Features

- Stainless Steel Construction
- Easy maintenance access via quick release bolts to remove the top cover of machine
- Completely enclosed machine
- Drive directly coupled to machine
- Low operational RPM

Why to buy

- High mesh basket life, typically 3-5 years
- Simple and reliable operation, with a fast ROI
- Minimum maintenance required
- High volume capacity
- Small machine footprint



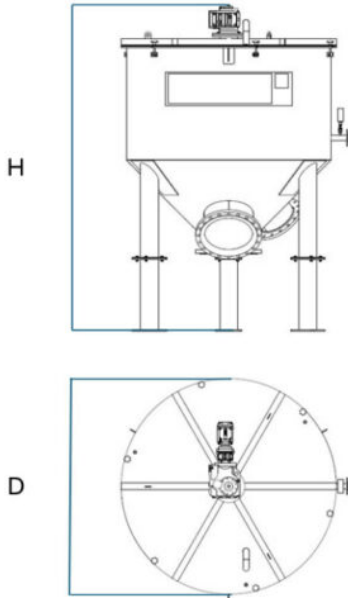
Typical & Proven Process

- Scalping of suspended fibers into coarse and fine fractions
- Deashing, fines and filler reduction
- Reduce fiber loss by recovering fibers from press, wash, and other fiber containing filtrates and sludge.
- Shower water preparation
- White water treatment

See the following Products as well

- DINOSCREEN - DS
- ELEPHANT - ET
- TAURO - TAL
- UNIVERSAL DISSOLVING SYSTEM - UDS

Specifications



| CT Models | D max [mm] | H max [mm] | Max Feed Flow [l/min] | Power [kW] |
|-----------|------------|------------|-----------------------|------------|
| 5 | 880 | 1546 | 500 | 0.25 |
| 10 | 880 | 1546 | 1000 | 0.25 |
| 20 | 880 | 1546 | 2000 | 0.25 |
| 30 | 1180 | 2159 | 3000 | 0.37 |
| 45 | 1180 | 2159 | 4500 | 0.37 |
| 60 | 1180 | 2159 | 6000 | 0.37 |
| 75 | 2000 | 2914 | 7500 | 0.55 |
| 100 | 2000 | 2914 | 10000 | 0.55 |
| 150 | 2000 | 2914 | 15000 | 0.55 |
| 165 | 2400 | 3945 | 16500 | 1.1 |
| 220 | 2400 | 3945 | 22000 | 1.1 |
| 300 | 2400 | 3945 | 30000 | 1.1 |



Meri Environmental Solutions GmbH

Bodenseestr. 113
81243 Munich, Germany
Tel. +49 89 59 33 44
info@meri.de

Voith Meri Environmental Solutions, Inc.

2620 E. Glendale Avenue
P.O. Box 1262
Appleton WI 54911-1262, USA
Tel. +1 920 734-8485
info@meriusa.com

Meri Sistemas e Tecnologia Ltda.

R. Friedrich von Voith, 825
São Paulo – SP – 02995-000, Brasil
Tel. +55 11 3944-6644
meribrasil@meribrasil.com.br

**Meri Environmental Technology
(Kunshan) Co.,Ltd.**

No. 665 Jiande Road, Zhangpu Town,
Kunshan City, 215321 Jiangsu Province,
China
Tel. +86 51 28 68 90 834
info@meri.cn

www.meri.de



Note: All product-related data and information in this publication shall serve for information purposes only. They shall not be interpreted or intended to represent any kind of warranty or guarantee. The only legally binding statements are those contained solely within our quotations. Errors and omissions excepted. Technical data are subject to change.