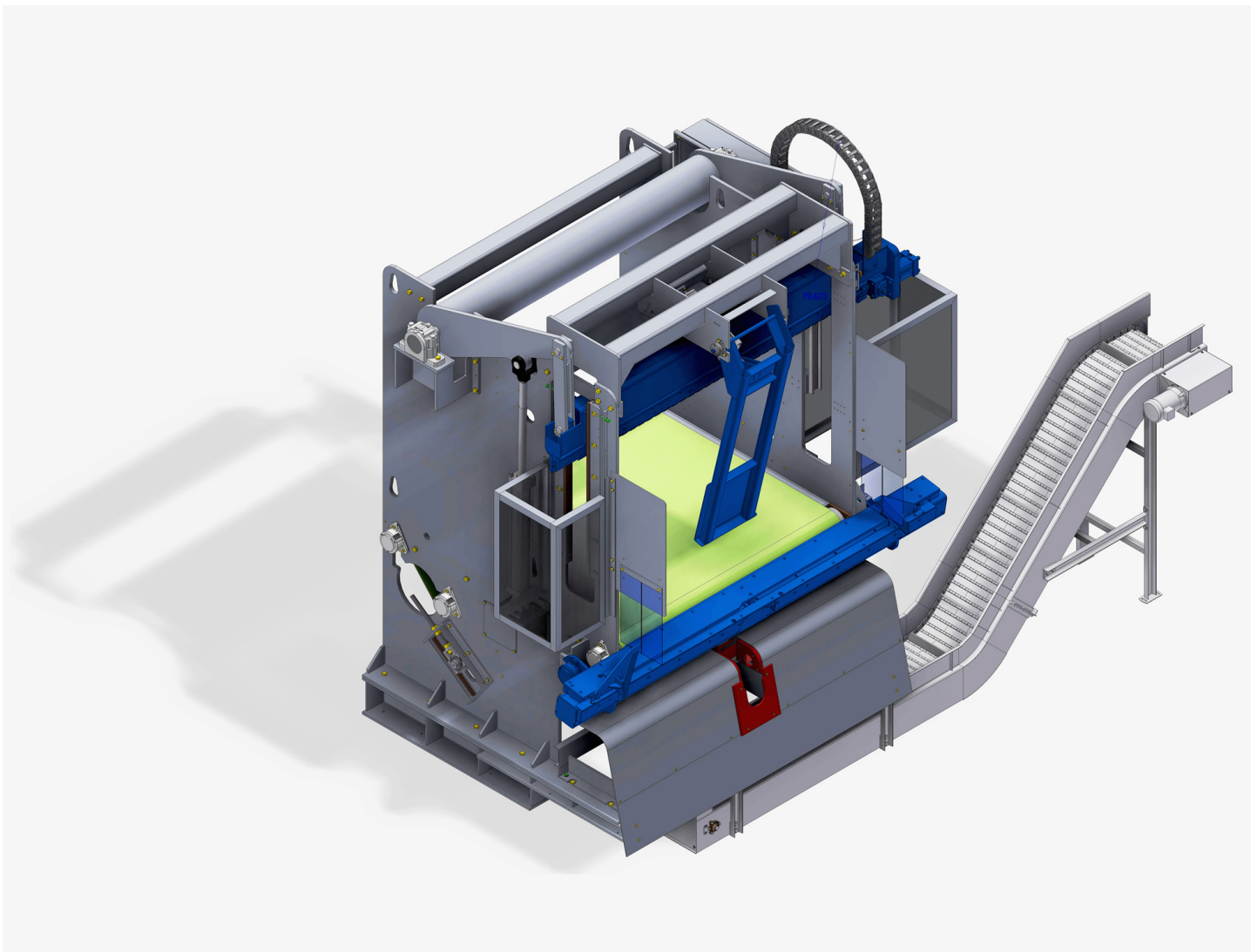


# MMH-DTOP – Meri Material Handling Automatic De-wiring Machine

The automatic de-wiring machine is used to automatically cut, remove, and coil wires on raw material bales



# MMH-DTOP – Meri Material Handling Automatic De-wiring Machine

The automatic de-wiring machine is used to automatically cut, remove, and coil wires on raw material bales

## Technology

The automatic de-wiring machine is used to cut and remove wires on bales. An optional coil conveyor loads coils into a nearby dumpster.

The de-wiring machine is designed to be used in processes where wire removal is required. It automatically cuts, grips, coils, ejects, and transports coils away from the machine. The automatic de-wiring machine can be integrated into a feed conveyor system.

## Features

- Safe cutting
- High throughput
- Robust design
- Highly serviceable
- Customizable parameters in included PLC

## Why to buy

- Removes operator interaction with wire cutting and removal from baled material
- Reciprocating knife design yields reliable cutting without needing guillotine hydraulic force
- Minimized commissioning time on site due to workshop test
- Hydraulically powered for the strength to overcome dense or imperfect bales



## Typical & Proven Process

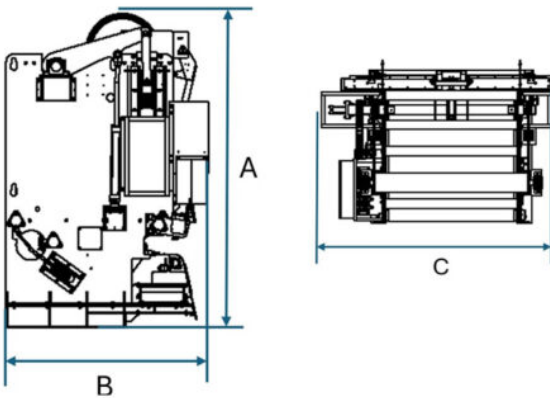
Recycled Bale wire cutting Applications:

- Paper
- Foam
- Textiles

## See the following Products as well

- MMH-DLAT
- MMH-WCMA - Meri Material Handling Wire Cutter
- MMH-FC - Meri Material Handling Feed Conveyor
- MMH-DMOB - Meri Material Handling Mobile De-wiring

## Specifications



		MMH-DTOP 2000
Height (A)	[mm]	4000
Length (B)	[mm]	2588
Width (C)	[mm]	3700
Power	[kW]	30
Throughput		up to 80 bales / hour



**Meri Environmental Solutions GmbH**

Bodenseestr. 113  
81243 Munich, Germany  
Tel. +49 89 59 33 44  
info@meri.de

**Voith Meri Environmental Solutions, Inc.**

2620 E. Glendale Avenue  
P.O. Box 1262  
Appleton WI 54911-1262, USA  
Tel. +1 920 734-8485  
info@meriusa.com

**Meri Sistemas e Tecnologia Ltda.**

R. Friedrich von Voith, 825  
São Paulo – SP – 02995-000, Brasil  
Tel. +55 11 3944-6644  
meribrasil@meribrasil.com.br

**Meri Environmental Technology  
(Kunshan) Co.,Ltd.**

No. 665 Jiande Road, Zhangpu Town,  
Kunshan City, 215321 Jiangsu Province,  
China  
Tel. +86 51 28 68 90 834  
info@meri.cn

[www.meri.de](http://www.meri.de)



**Note:** All product-related data and information in this publication shall serve for information purposes only. They shall not be interpreted or intended to represent any kind of warranty or guarantee. The only legally binding statements are those contained solely within our quotations. Errors and omissions excepted. Technical data are subject to change.