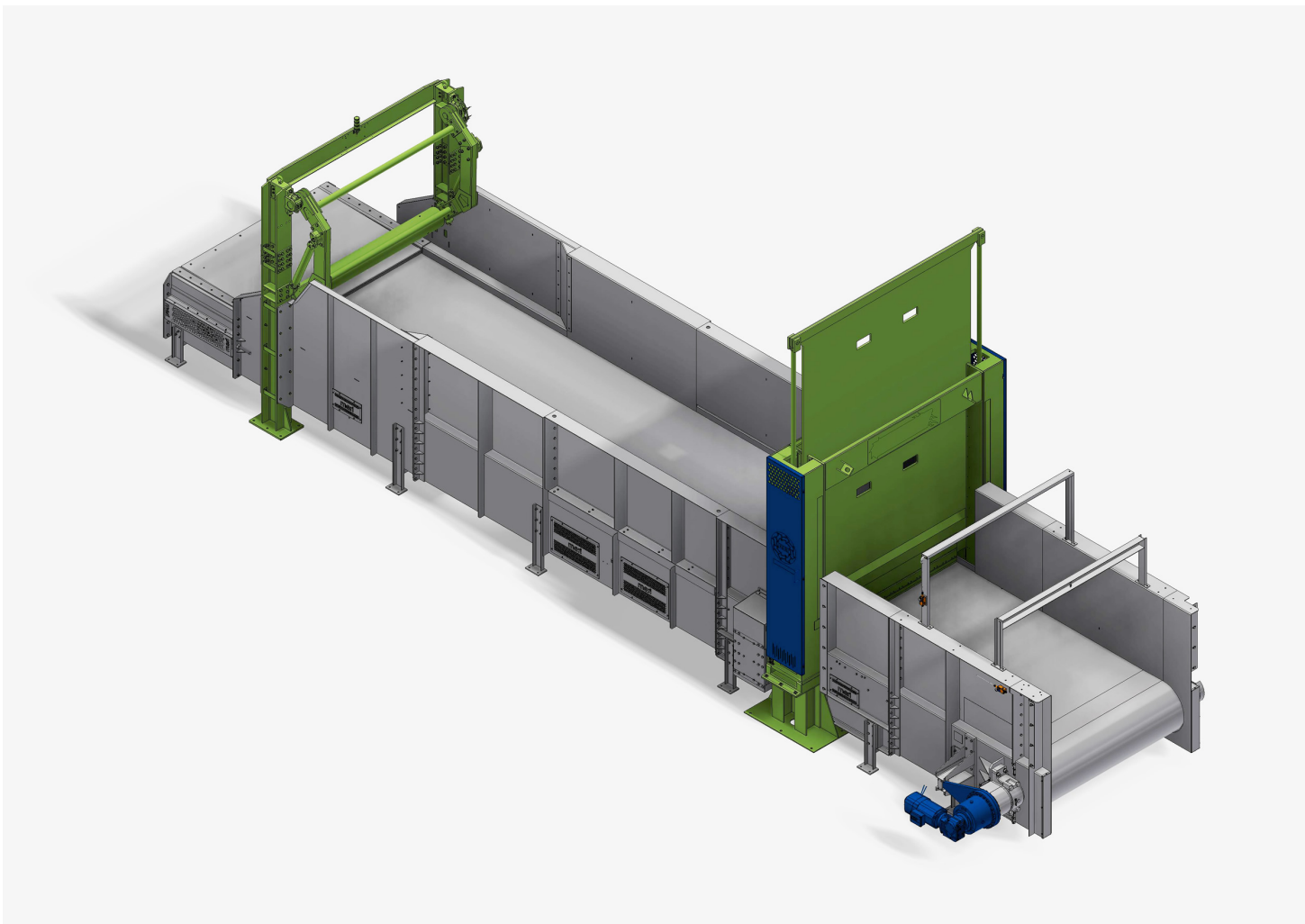


# MMH-ROSP – Meri Material Handling Roll Splitting Machine

The roll splitting machine uses a guillotine style blade to split paper rolls for easier handling and pulping



# MMH-ROSP – Meri Material Handling Roll Splitting Machine

The roll splitting machine uses a guillotine style blade to split paper rolls for easier handling and pulping

## Technology

The roll splitting machine is used to split paper rolls.

The roll splitting machine can be installed as a standalone unit for manual loading and cutting or integrated into a larger conveyor system. An optional PLC controls the roll splitting machine and automatically splits the roll into customizable lengths.

## Features

- Safe cutting
- Robust design
- Highly serviceable
- Customizable parameters in optional PLC
- Two cutting speeds for increased efficiency
- Optional roll stopping machine (MMH-RST) allows for loading and cutting of rolls simultaneously

## Why to buy

- Removes operator interaction with roll cutting
- Flexibility to handle many roll diameters
- Easily adjust to changing roll sizes with optional PLC
- Seamless integration into traditional conveying and pulping systems
- Custom integration into existing facilities

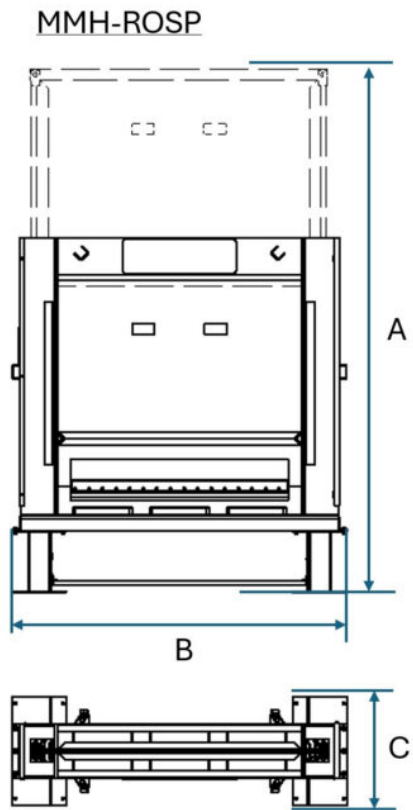
## Typical & Proven Process

- Recycled Bale wire cutting Applications:
  - Paper

## See the following Products as well

- MMH-DLAT
- MMH-WCMA
- MMH-FC
- MMH-DMOB
- MMH-RST

## Specifications



		MMH-ROSP 2500
Height (A)	[mm]	5858
Length (B)	[mm]	3759
Width (C)	[mm]	1219
Max Roll Size		7' DIA. X 7' WIDE



**Meri Environmental Solutions GmbH**

Bodenseestr. 113  
81243 Munich, Germany  
Tel. +49 89 59 33 44  
info@meri.de

**Voith Meri Environmental Solutions, Inc.**

2620 E. Glendale Avenue  
P.O. Box 1262  
Appleton WI 54911-1262, USA  
Tel. +1 920 734-8485  
info@meriusa.com

**Meri Sistemas e Tecnologia Ltda.**

R. Friedrich von Voith, 825  
São Paulo – SP – 02995-000, Brasil  
Tel. +55 11 3944-6644  
meribrasil@meribrasil.com.br

**Meri Environmental Technology  
(Kunshan) Co.,Ltd.**

No. 665 Jiande Road, Zhangpu Town,  
Kunshan City, 215321 Jiangsu Province,  
China  
Tel. +86 51 28 68 90 834  
info@meri.cn

[www.meri.de](http://www.meri.de)



**Note:** All product-related data and information in this publication shall serve for information purposes only. They shall not be interpreted or intended to represent any kind of warranty or guarantee. The only legally binding statements are those contained solely within our quotations. Errors and omissions excepted. Technical data are subject to change.